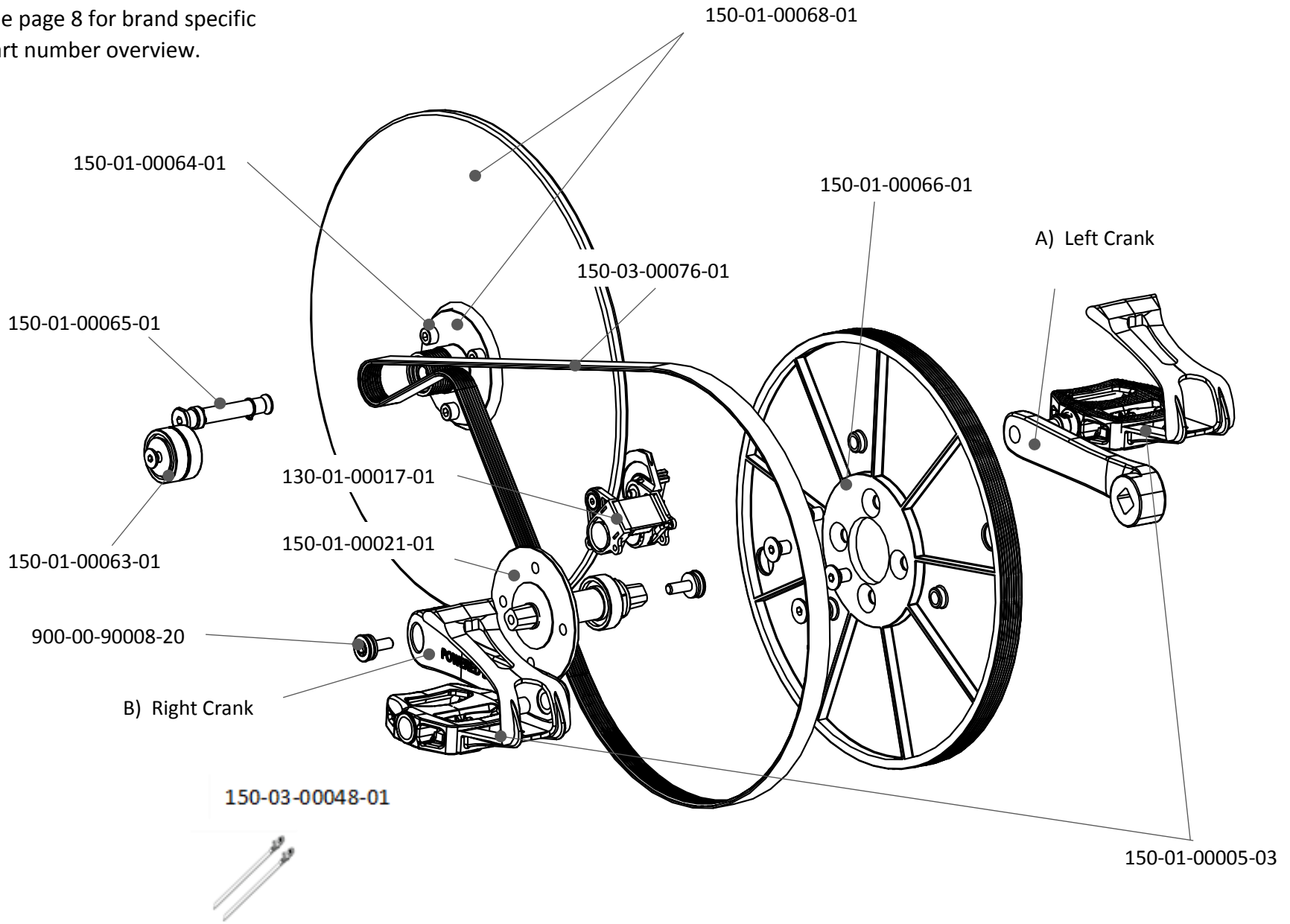
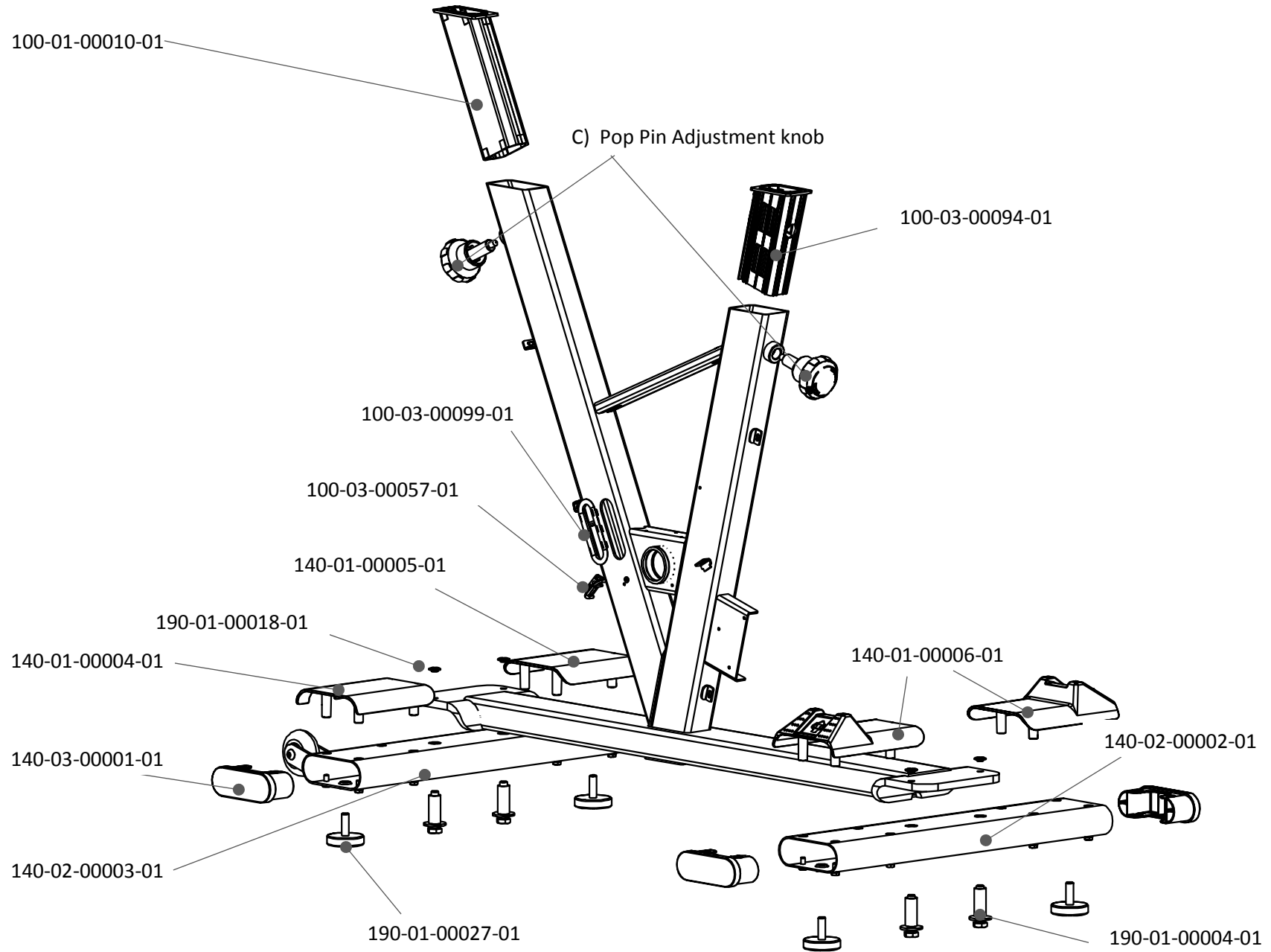
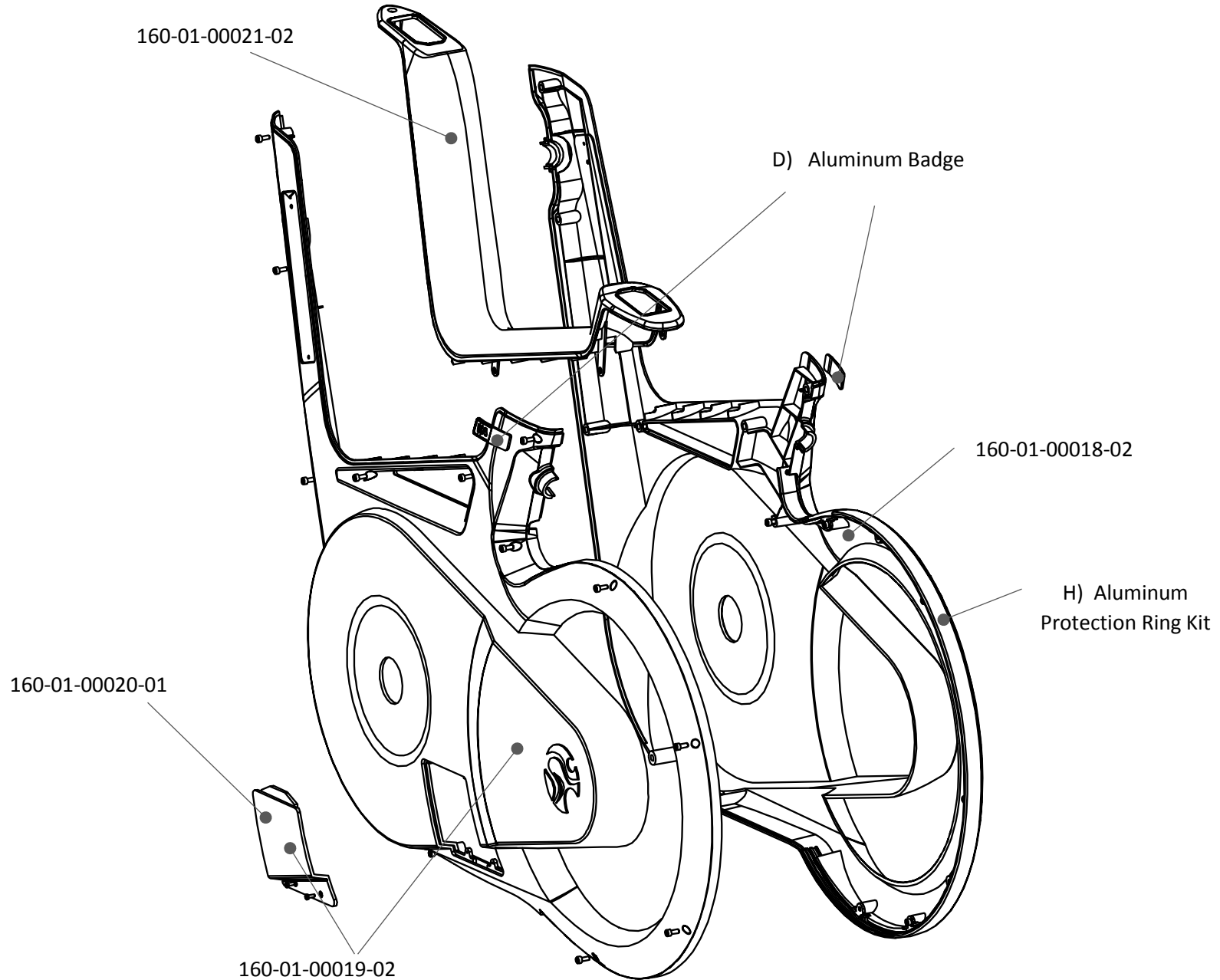
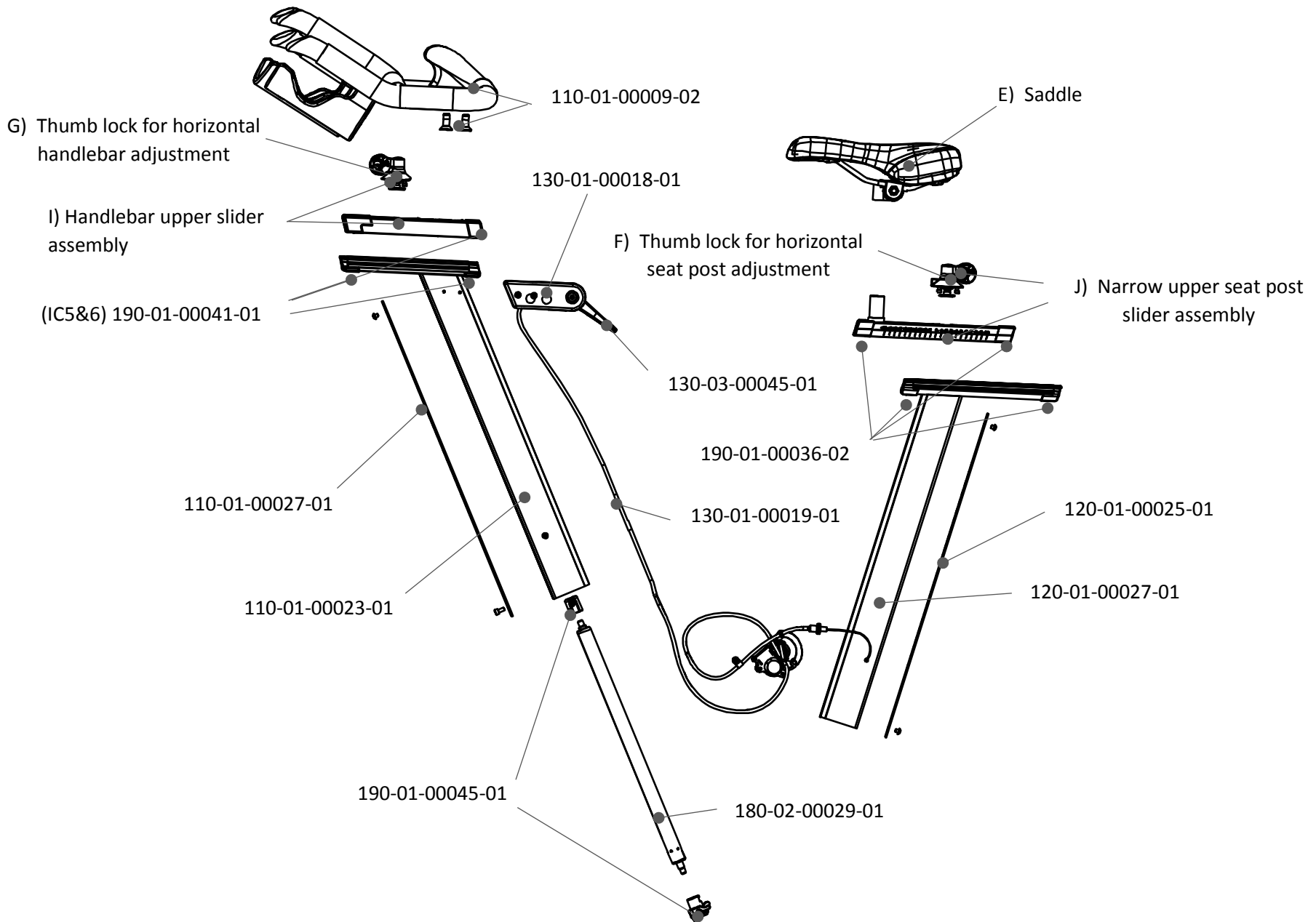


See page 8 for brand specific part number overview.

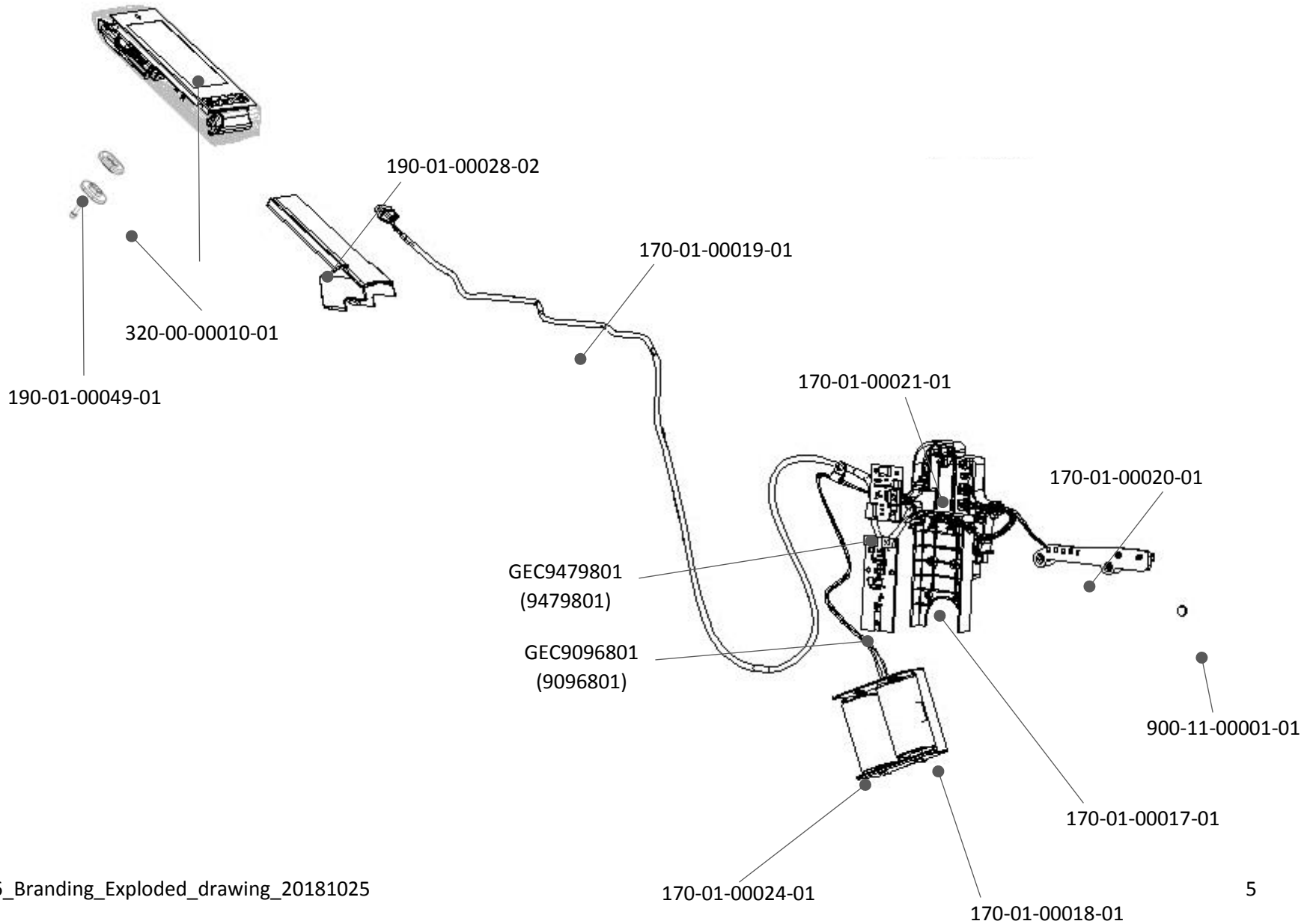




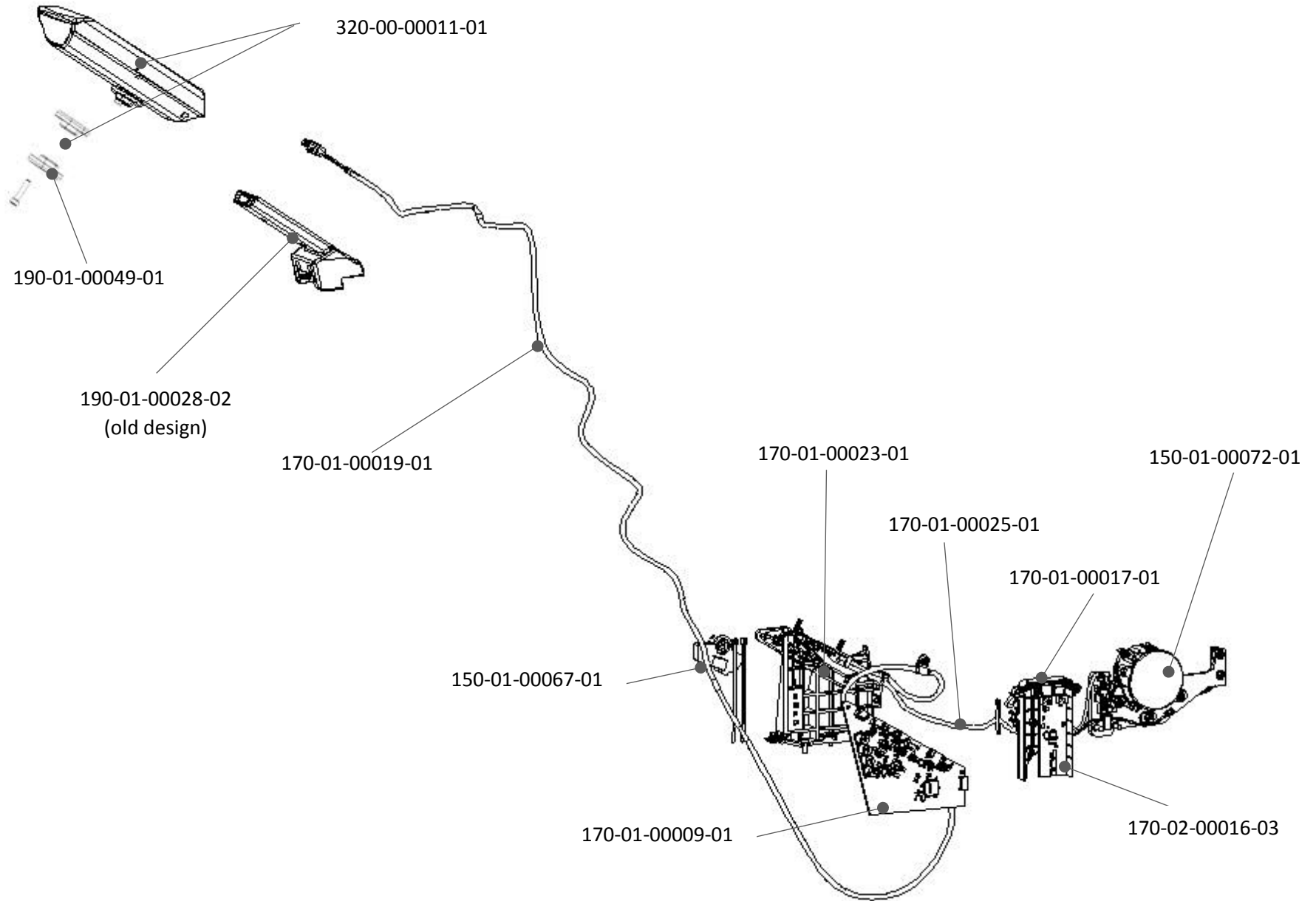




IC5 SPECIFIC PARTS



IC6 SPECIFIC PARTS



Please review SD-60 SLIDER DESIGN UPDATE from March 9, 2018 for full slider update details.

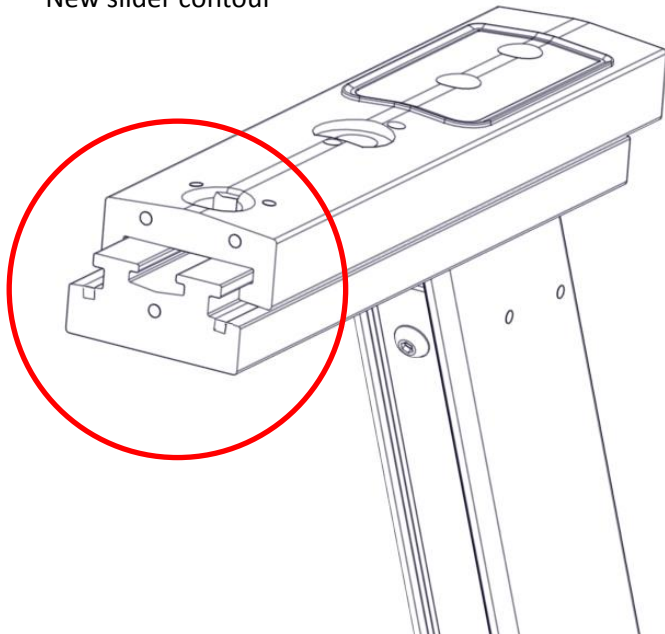
Cutoffs:

IC4: FBVB0003603-17L

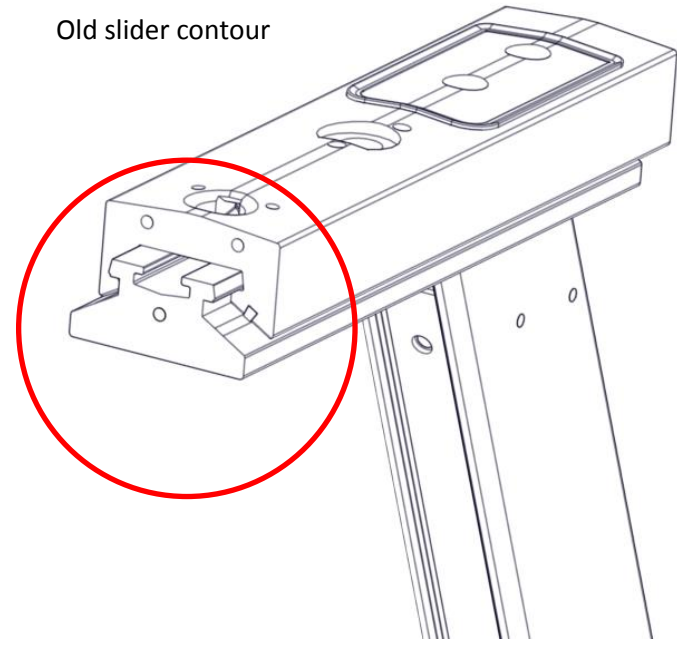
IC5: FCQB0008117-17L

IC6: FBWB0008853-17L

New slider contour

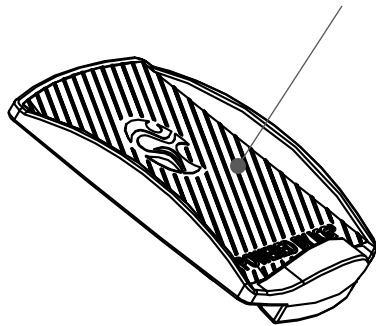


Old slider contour



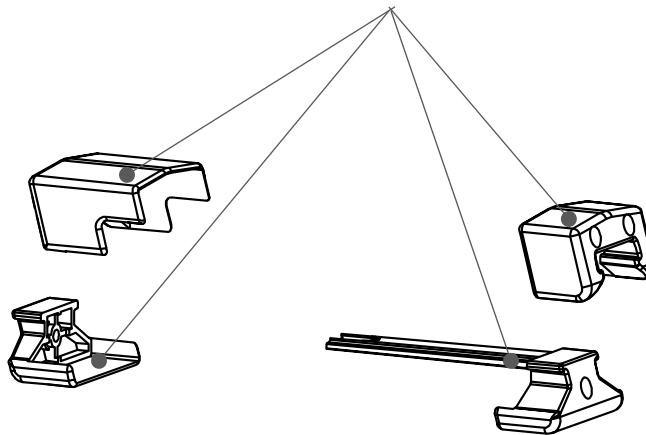
Old slider design

K) Smartphone tray



Old stem and slider contour  
190-01-00042-01

New stem and slider contour  
190-01-00082-01

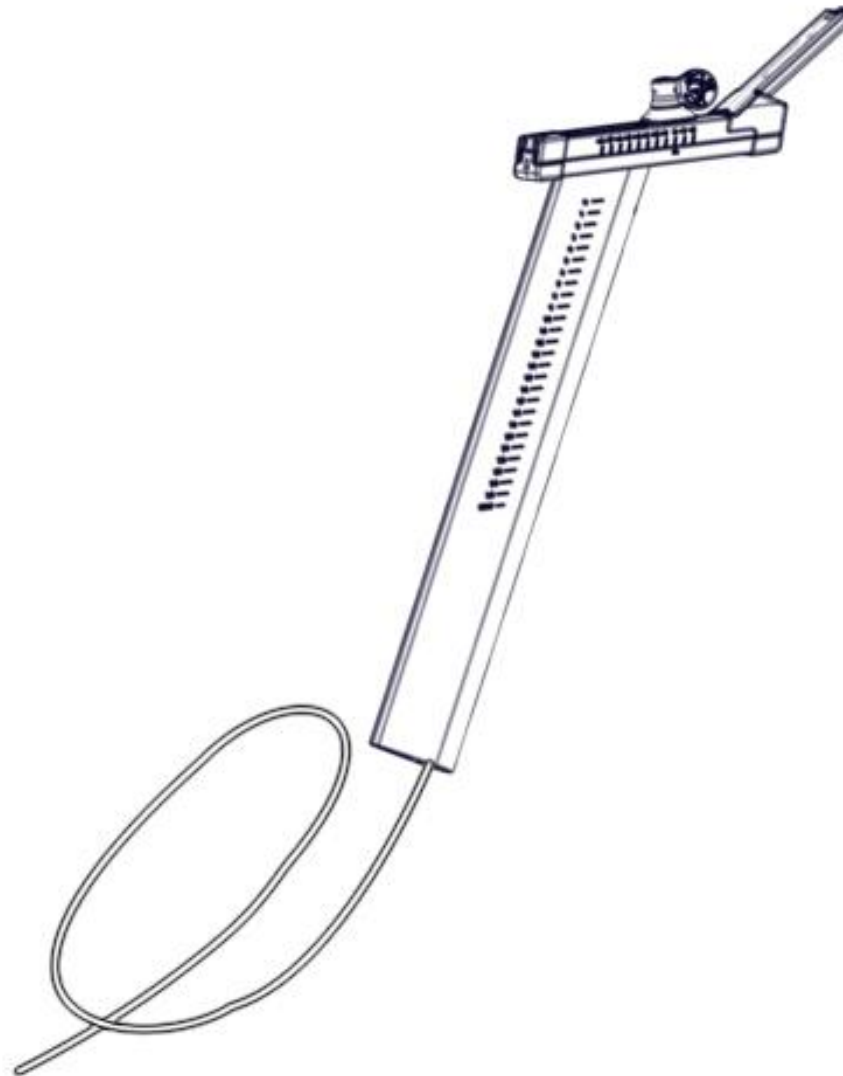




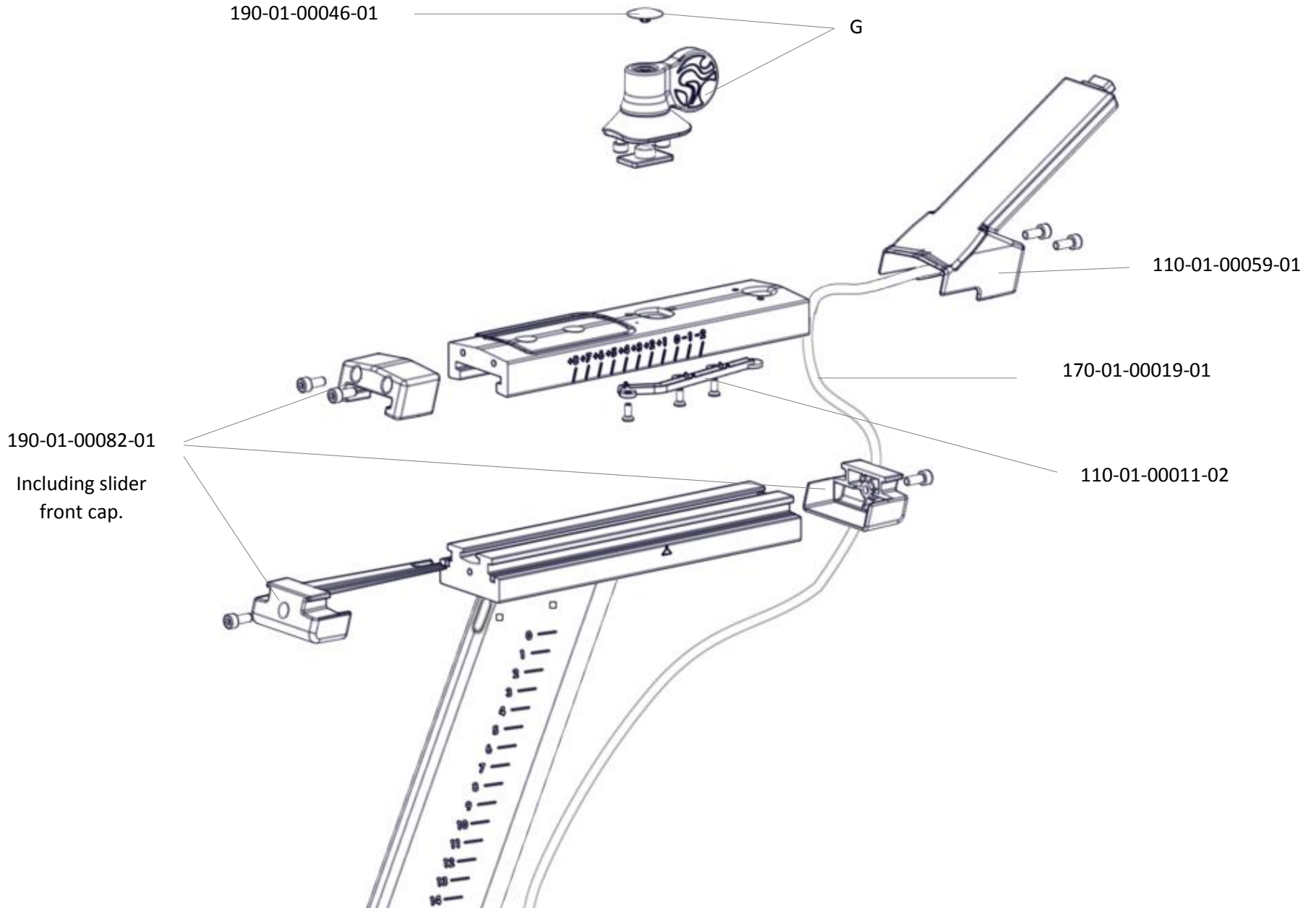
New slider design

IC4 - 110-01-00072-01

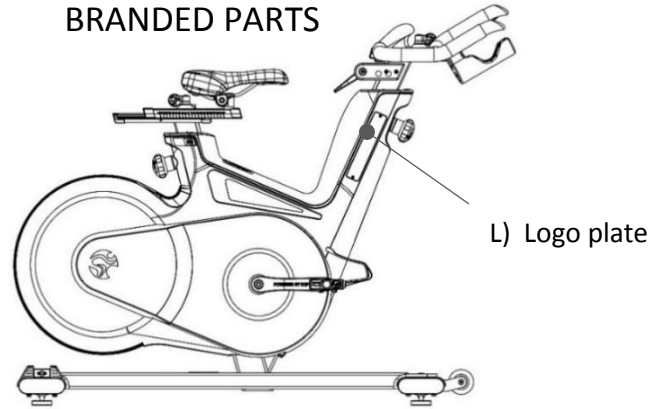
IC5 & IC6 110-01-00075-01



New slider design



**BRANDED PARTS**



Part	Description	Lifefitness – Tomahawek - Matrix	Cybox
A	Left Crank	150-03-00090-01	150-03-00162-01
B	Right Crank	150-03-00091-01	150-03-00163-01
C	Pop Pin Adjustment knob (1 pcs.)	180-01-00034-01	180-01-00060-01
D	IC4 Aluminum Badge	160-01-00024-01	160-01-00056-01
D	IC5 Aluminum Badge	160-01-00025-01	160-01-00057-01
D	IC6 Aluminum Badge	160-01-00026-01	160-01-00058-01
E	Saddle	120-01-00015-02	120-01-00045-01
F	Thumb lock handle for horizontal seat post adjustment	120-01-00029-01	120-01-00046-01
G	Thumb lock handle for horizontal handle bar adjustment	110-01-00025-01	110-01-00040-01
H	Aluminum Protection Ring Kit	160-01-00005-01	160-01-00066-01
I	Upper handlebar slider assembly	110-01-00022-01	110-01-00041-01
J	Narrow upper seat post slider assembly	120-01-00026-01	120-01-00048-01
K	Smartphone tray	170-01-00013-01	110-01-00044-01
M	Right main shroud	160-01-00018-02	160-01-00054-01
N	Left main shroud	160-01-00019-02	160-01-00055-01

		Life Fitness	Cybox	Matrix	Tomahawk
L	Logo plate	160-01-00039-01	160-01-00049-01	160-01-00023-01	160-01-00022-01

100-01-00010-02	INSERT SLEEVE SET HANDLEBAR TUBE FOR IC4 & IC5 & IC6
100-03-00057-01	CABLE LOOP FOR BOWDEN- AND CONSOLE CABLE FOR IC4/IC5/IC6
100-03-00094-01	INSERT SLEEVE FOR SEATPOST TUBE FOR IC4/IC5/IC6
100-03-00099-01	CABLE GUIDE HANDLEBAR FRAME TUBE FOR IC4/IC5/IC6
110-01-00009-02	HANDLEBAR WITH SOFT PVC COATING 30MM MOUNTING PITCH AND MOUNTING BOLTS FOR IC5 & IC7
110-01-00011-02	CABLE COVER KIT FOR UPPER HORIZONTAL HANDLEBAR SLIDER FOR IC5/IC6/IC7
110-01-00022-01	UPPER HANDLEBAR SLIDER ASSEMBLY FOR IC4/IC5/IC6
110-01-00023-01	VERTICAL HANDLEBAR STEM ASSEMBLY FOR IC4/IC5/IC6
110-01-00025-01	LOCK HANDLE ASSEMBLY FOR HANDLEBAR
110-01-00027-01	PROTECTION INSERT KIT, VERTICAL HANDLEBAR STEM FOR IC4/IC5/IC6
110-01-00040-01	THUMB LOCK HANDLE ASSEMBLY FOR HORIZONTAL HANDLEBAR ADJUSTMENT, CYBEX BRANDED
110-01-00041-01	"HANDLEBAR UPPER SLIDER ASSEMBLY FOR IC4/IC5/IC6 CYBEX BRANDED
110-01-00044-01	SMARTPHONE TRAY KIT FOR IC4 CYBEX BRANDED
110-01-00059-01	CONSOLE BRACKET 2-PIECE PLASTIC FOR IC5/IC6/IC7 (Cable not included)
110-01-00072-01	UPPER HANDLEBAR SLIDER AND STEM ASSEMBLY FOR IC7 LIFEFITNESS BRANDED
110-01-00075-01	UPPER HANDLEBAR SLIDER AND STEM ASSEMBLY FOR IC5 & IC6 LIFEFITNESS BRANDED
120-01-00015-02	SPORT SADDLE BLACK & RED INCL. SADDLE CLAMP WITHOUT STOPPER
120-01-00025-01	PROTECTION INSERT KIT, VERTICAL SEATPOST STEM FOR IC4/IC5/IC6
120-01-00026-01	NARROW UPPER SEATPOST SLIDER ASSEMBLY SHORT SADDLE MOUNTING TUBE 40MM FOR IC4/IC5/IC6
120-01-00027-01	NARROW VERTICAL SEATPOST STEM ASSEMBLY FOR IC4/IC5/IC6
120-01-00029-01	LOCK HANDLE ASSEMBLY FOR SEATPOST
120-01-00045-01	SPORT SADDLE BLACK & YELLOW INCL. SADDLE CLAMP WITHOUT STOPPER
120-01-00046-01	THUMB LOCK HANDLE ASSEMBLY FOR HORIZONTAL SEATPOST FOR IC4/IC5/IC6/IC7/IC8 CYBEX BRANDED
120-01-00048-01	NARROW UPPER SEATPOST SLIDER ASSEMBLY FOR IC4/IC5/IC6 CYBEX BRANDED
130-01-00017-01	MAGNETIC BRAKE ASSEMBLY FOR IC4/IC5/IC6
130-01-00018-01	BRAKE HANDLE ASSEMBLY FOR IC4/IC5/IC6
130-01-00019-01	BOWDENCABLE KIT FOR BRAKE FOR IC4/IC5/IC6
130-03-00045-01	BRAKE LEVER FOR IC4/IC5/IC6
140-01-00004-01	FRONT STABILIZER PROTECTION PLATE KIT, LEFT FOR IC3 & IC5 & IC7
140-01-00005-01	FRONT STABILIZER PROTECTION PLATE KIT, RIGHT FOR IC3 & IC5 & IC7
140-01-00006-01	REAR STABILIZER STRETCH PLATE KIT FOR IC3 & IC5 & IC7
140-02-00002-01	REAR STABILIZER TUBE FOR IC3 & IC5 & IC7
140-02-00003-01	FRONT STABILIZER WELDMENT
140-03-00001-01	STABILIZER END CAP (FRONT - REAR) FOR IC3 & IC5 & IC7

150-01-00005-03	COMBI PEDAL SET, SPD COMPATIBLE
150-01-00021-01	BOTTOM BRACKET REPLACEMENT KIT FÜR IC5 & IC7
150-01-00063-01	IDLER PULLEY FOR IC4/IC5/IC6
150-01-00064-01	HUB ONLY INCLUDING BEARINGS AND BOLTS
150-01-00065-01	FLYWHEEL AXLE KIT FOR IC4/IC5/IC6
150-01-00066-01	PULLEY (8PJ) INCL. MOUNTING BOLTS FOR IC4/IC5/IC6
150-01-00067-01	MAGNET FOR CRANK PULLEY INCL. BRACKET FOR IC6
150-01-00068-01	COMPLETE FLYWHEEL ASSEMBLY FOR IC4/IC5/IC6
150-01-00072-01	GENERATOR ASSEMBLY FOR IC6
150-03-00048-01	TOE STRAP SET
150-03-00076-02	POLY V BELT 8EPJ 1518 FOR IC4;5;6 - REVISION 2
150-03-00090-01	LEFT CRANK ARM, RED, WITH LOGO FOR IC3/IC4/IC5/IC6
150-03-00091-01	RIGHT CRANK ARM, RED, WITH LOGO FOR IC3/IC4/IC5/IC6
150-03-00162-01	LEFT CRANK ARM, YELLOW FOR IC3 & IC4 & IC5 & IC6
150-03-00163-01	RIGHT CRANK ARM, YELLOW FOR IC3 & IC4 & IC5 & IC6
160-01-00005-01	ALUMINIUM PROTECTION RING KIT FOR IC5 & IC7
160-01-00006-01	LEFT SIDE MAIN SHROUD KIT INCL. ALUMINUM RING FOR IC5 & IC7
160-01-00018-02	RIGHT SIDE MAIN SHROUD KIT INCL. ALUMINIUM RING FOR IC4/IC5/IC6
160-01-00019-01	LEFT SIDE MAIN SHROUD KIT FOR IC4/IC5/IC6
160-01-00020-01	COVER FOR BATTERY COMPARTMENT INCL. MOUNTING BOLTS FOR IC4/IC5/IC6
160-01-00021-02	TOP MAIN COVER KIT FOR IC4/IC5/IC6
160-01-00022-01	TOMAHAWK, LOGO PLATE INSERT KIT RIGHT AND LEFT FOR IC4/IC5/IC6
160-01-00023-01	MATRIX, LOGO PLATE INSERT KIT, RIGHT AND LEFT FOR IC4/IC5/IC6
160-01-00024-01	DECAL IC4 - ALUMINIUM BADGE RIGHT AND LEFT
160-01-00025-01	DECAL IC5 - ALUMINIUM BADGE RIGHT AND LEFT
160-01-00026-01	DECAL IC6 - ALUMINIUM BADGE RIGHT AND LEFT
160-01-00039-01	LIFEFITNESS, LOGO PLATE INSERT KIT, RIGHT AND LEFT FOR IC4/IC5/IC6
160-01-00049-01	CYBEX, LOGO PLATE INSERT KIT, RIGHT AND LEFT FOR IC4/IC5/IC6
160-01-00054-01	RIGHT SIDE MAIN SHROUD KIT INCL. ALUMINIUM RING FOR IC4/IC5/IC6 CYBEX BRANDED
160-01-00055-01	LEFT SIDE MAIN SHROUD KIT FOR IC4/IC5/IC6 CYBEX BRANDED
160-01-00056-01	DECAL IC4 - ALUMINIUM BADGE - RIGHT AND LEFT CYBEX BRANDED
160-01-00057-01	DECAL IC5 - ALUMINIUM BADGE - RIGHT AND LEFT CYBEX BRANDED
160-01-00058-01	DECAL IC6 - ALUMINIUM BADGE - RIGHT AND LEFT CYBEX BRANDED
160-01-00066-01	ALUMINIUM PROTECTION RING KIT FOR IC4/IC5/IC6 CYBEX BRANDED
170-01-00009-01	POWER MODULE, COATED PCB, ASSEMBLY FOR IC6, IC7 & IC8

170-01-00013-01	SMARTPHONE TRAY KIT FOR IC5
170-01-00017-01	GEAR MODULE BRACKET INCL. BOLTS FOR IC5/IC6
170-01-00018-01	BATTERY PACK INCL. MOUNTING BOLTS FOR IC5
170-01-00019-01	CONSOLE CABLE INCL. MOUNTING PARTS FOR IC5/IC6
170-01-00020-01	REED SENSOR INCL. BRACKET FOR FLYWHEEL FOR IC5
170-01-00021-01	HARNESS ADAPTER BRACKET INCL. BOLTS FOR IC5
170-01-00023-01	POWER MODULE BRACKET INCL. REED SENSOR AND BOLTS FOR IC6
170-01-00024-01	BATTERY, D-CELL 2-PACK
170-01-00025-01	MAIN CABLE HARNESS KIT FOR IC6
170-02-00016-03	GEAR MODULE PCB
180-01-00034-01	POP PIN VERTICAL ADJUSTMENT KNOB FOR IC4/IC5/IC6
180-01-00060-01	POP PIN ADJUSTMENT KNOB, YELLOW FOR IC4/IC5/IC6
180-02-00029-01	GASSPRING FOR IC4;5;6 VERTICAL HANDLEBAR ADJUSTMENT
190-01-00004-01	STABILIZER MOUNTING KIT (1 x BOLT, WASHER, SLEEVE, CAP) for IC3 & IC5 & IC7
190-01-00018-01	STABILIZER BRACKET POP OUT COVER SET (5 PCS) FOR IC3 & IC5 & IC7
190-01-00027-01	LEVELING FEET, RUBBER 75°SHORE (2 PCS.) FOR IC2 & IC3 & IC5 & IC7
190-01-00028-02	CONSOLE BRACKET - 2 PIECE PLASTIC FOR IC7
190-01-00036-02	END CAP SET NARROW HORIZONTAL SEATPOST SLIDER FOR IC4 & IC5 & IC6 & IC7 & IC8
190-01-00041-01	END CAP SET HORIZONTAL HANDLEBAR SLIDER FOR IC7
190-01-00042-01	END CAP SET HORIZONTAL HANDLEBAR SLIDER FOR IC5
190-01-00045-01	MOUNTINGKIT GASSPRING FOR IC4/IC5/IC6
190-01-00046-01	THUMB LOCK LEVER CAP FOR HORIZONTAL ADJUSTMENT (10 PCS) FOR IC4/IC5/IC6/IC7
190-01-00049-01	CONSOLE MOUNTING BRACKET INCL. BOLT FOR HANDLEBAR BRIDGE
190-01-00082-01	END CAP SET HORIZONTAL HANDLEBAR SLIDER FOR IC4/IC5/IC6/IC7/IC8
320-00-00010-01	ICG LCD COACH-BY-COLOR CONNECT COMPUTER FOR IC5
900-00-90008-20	CRANK MOUNTING BOLT, M8 x 20 x 1.25P
900-11-00001-01	MAGNET FOR FLYWHEEL DISC - N35 - D8 X 2MM FOR IC5/IC6
GEC9096801	PCB Sensor Board // Gear Module
GEC9479801	Junction Board // Harness Adapter Coated