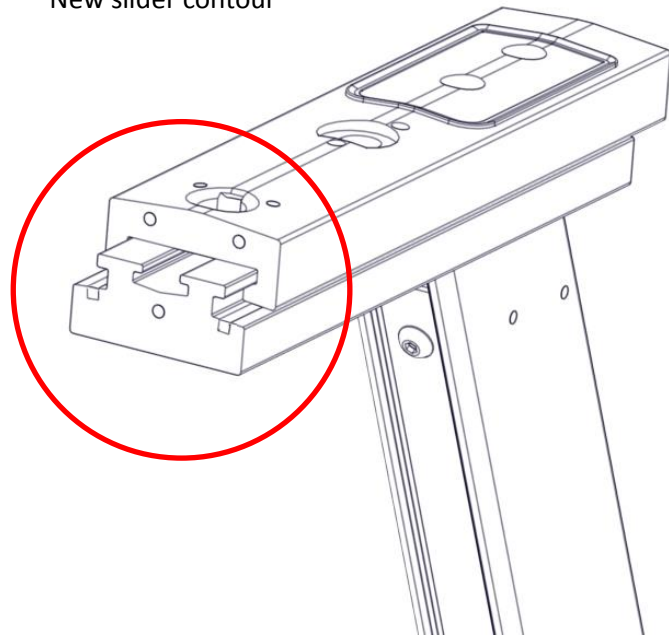


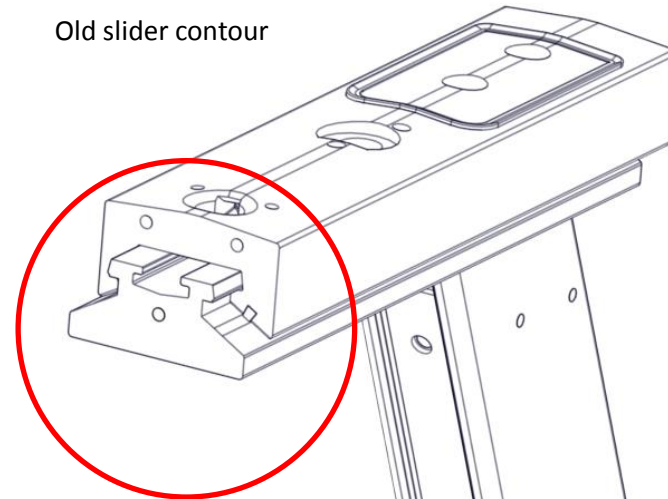
Please review SD-60 SLIDER DESIGN UPDATE from March 9, 2018 for full slider update details.

IC7 Cutoff for the updated design: FCRB0008777-17L

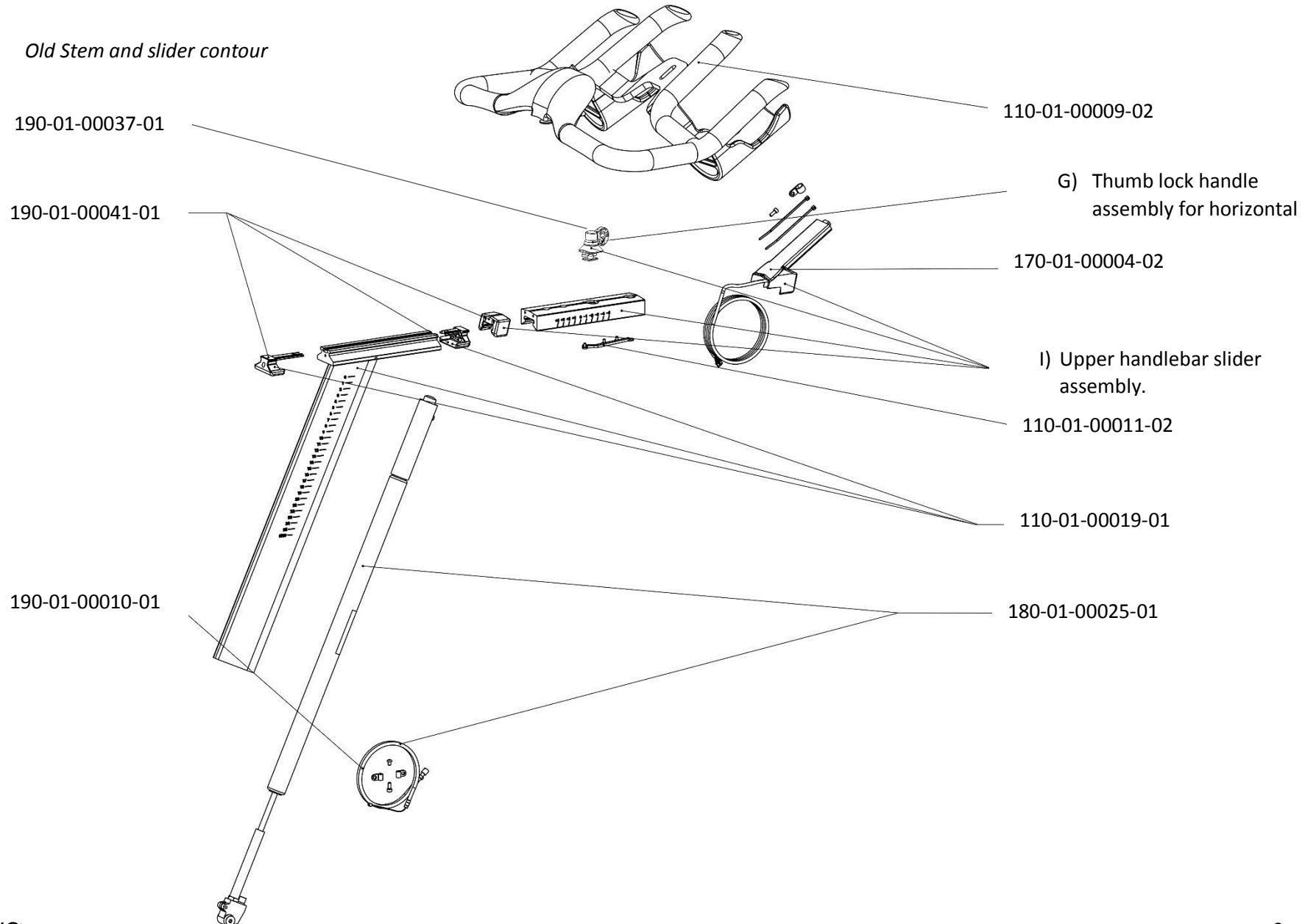
New slider contour



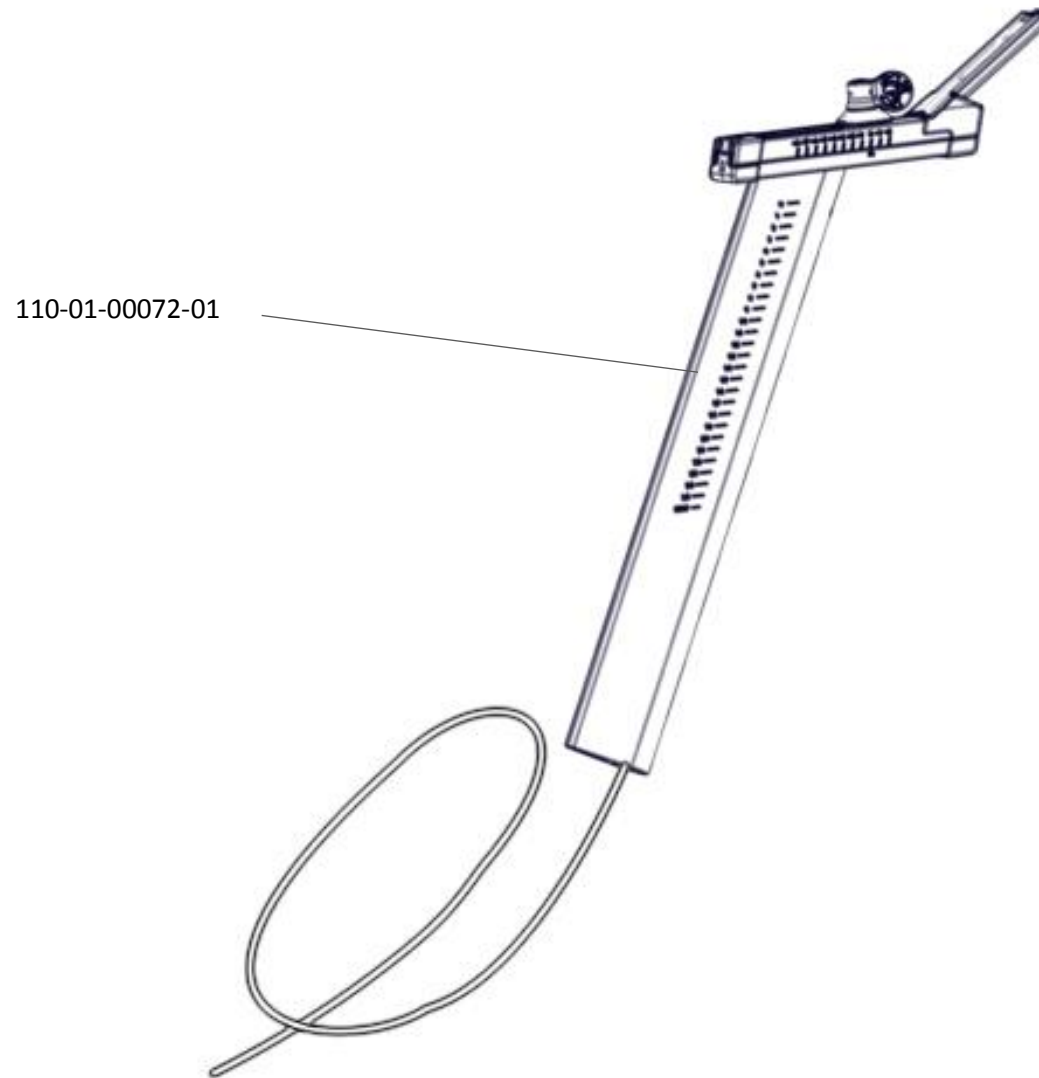
Old slider contour



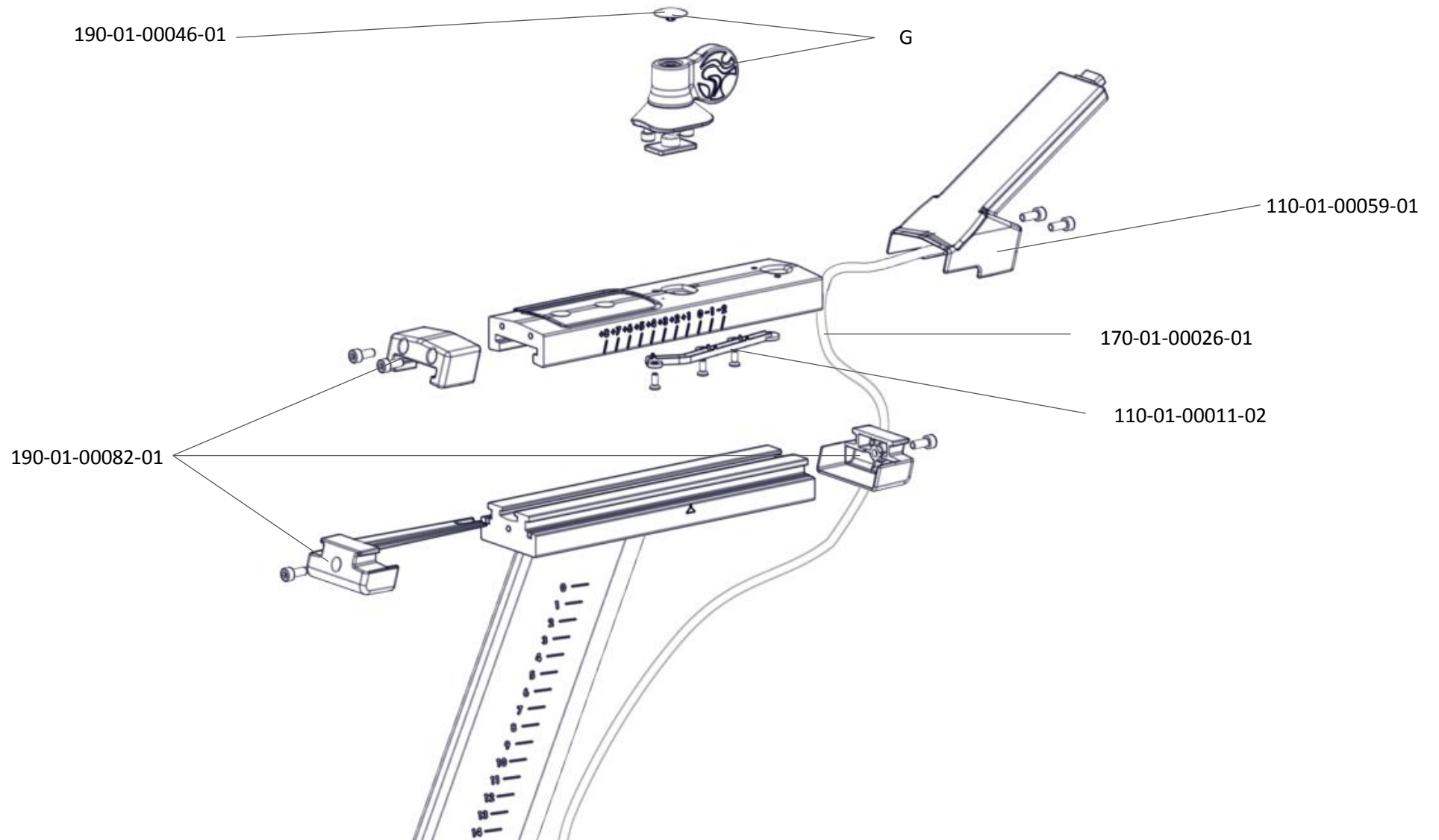




*New stem and slider contour*



*New stem and slider contour.*



**Branded part overview.**

Part	Description	Life Fitness – Tomahawk – Matrix	Cybex		
A	Left Crank	150-03-00054-01	150-03-00165-01		
B	Right Crank	150-03-00053-01	150-03-00164-01		
C	Handlebar vertical adjustment lever assembly	100-01-00007-02	100-01-00018-01		
D	Seat post vertical adjustment lever assembly	100-01-00008-01	100-01-00019-01		
E	Saddle	120-01-00015-02	120-01-00045-01		
F	Thumb lock handle for horizontal seat post adjustment	120-01-00029-01	120-01-00046-01		
G	Thumb lock handle for horizontal handle bar adjustment	110-01-00025-01	110-01-00040-01		
H	Left Shroud kit (Including Ring)	160-01-00006-01	160-01-00052-01		
I	Upper handlebar slider assembly < FCRB0008777-17L Cutoff (old design)	110-01-00021-02	110-01-00051-01		
	Upper handlebar slider assembly > FCRB0008777-17L Cutoff (new design)	110-01-00058-01	110-01-00060-01		
J	Narrow upper seat post slider assembly	120-01-00014-03	120-01-00049-01		
K	IC7 - Aluminum Badge - Right	160-09-00007-01	160-01-00059-1		
	IC7 – Aluminum Badge - Left	160-09-00006-01			
		Life Fitness	Cybex	Tomahawk	Matrix
L	Logo Plates	160-01-00045-01 (Left and right kit)	160-01-00045-01 (Left and right kit)	160-01-00010-02 (Left) 160-01-00011-02 (Right)	160-01-00012-01 (Left) 160-01-00013-01 (Right)

100-01-00004-01	INLAY SLEEVE SET FOR HANDLEBAR TUBE IC5 & IC7
100-01-00006-01	INLAY SLEEVE SET FOR SEATPOST TUBE FOR IC5 & IC7
100-01-00007-02	VERTICAL HANDLEBAR ADJUSTMENT ASSEMBLY - REINFORCED LEVER - FOR IC5 & IC7
100-01-00008-01	VERTICAL SEATPOST ADJUSTMENT ASSEMBLY FOR IC5 & IC7
100-01-00009-01	LEFT FLYWHEEL SUPPORT ARM KIT IC5 & IC7
100-01-00019-01	SEAT POST VERTICLE ADJUSTMENT LEVER ASSEMBLY
110-01-00009-02	HANDLEBAR WITH SOFT PVC COATING 30MM MOUNTING PITCH AND MOUNTING BOLTS FOR IC5 & IC7
110-01-00011-02	CABLE COVER KIT FOR UPPER HORIZONTAL HANDLEBAR SLIDER FOR IC5/IC6/IC7
110-01-00019-01	LOWER HANDLEBAR STEM ASSEMBLY
110-01-00021-02	UPPER HANDLEBAR SLIDER ASSEMBLY W/O CONSOLE BRACKET, 30MM MOUNTING PITCH, FOR IC5 & IC7
110-01-00025-01	LOCK HANDLE ASSEMBLY FOR HANDLEBAR
110-01-00040-01	THUMB LOCK HANDLE ASSEMBLY FOR HORIZONTAL HANDLEBAR ADJUSTMENT, CYBEX BRANDED
110-01-00051-01	OBERER LENKERSCHLITTEN INKL. ANBAUTEILE FÜR IC7 CYBEX BRANDED
110-01-00059-01	CONSOLE BRACKET 2-PIECE PLASTIC FOR IC5/IC6/IC7 (Cable not included)
110-01-00060-01	UPPER HANDLEBAR SLIDER ASSEMBLY NEW DESIGN
110-01-00072-01	UPPER HANDLEBAR SLIDER AND STEM ASSEMBLY INCLUDING CABLE FOR IC7 LIFEFITNESS BRANDED
120-01-00013-02	NARROW LOWER SEATPOST ASSEMBLY FOR IC5 & IC7
120-01-00014-03	NARROW UPPER SEATPOST SLIDER ASSEMBLY, SHORT STRAIGHT SADDLE MOUNTING TUBE 40MM FOR IC5 & IC7
120-01-00015-02	SPORT SADDLE BLACK & RED INCL. SADDLE CLAMP WITHOUT STOPPER
120-01-00017-01	SADDLE CLAMP WITHOUT STOPPER
120-01-00029-01	LOCK HANDLE ASSEMBLY FOR SEATPOST
120-01-00045-01	SPORT SADDLE BLACK & YELLOW INCL. SADDLE CLAMP WITHOUT STOPPER
120-01-00046-01	THUMB LOCK HANDLE ASSEMBLY FOR HORIZONTAL SEATPOST FOR IC4/IC5/IC6/IC7/IC8 CYBEX BRANDED
130-01-00011-02	COMPLETE UPPER BRAKE ASSEMBLY FOR IC5 & IC7 REV2
130-01-00014-02	BRAKE DIAL KIT/ D 55MM FOR IC5 & IC7
130-02-00009-01	EMERGENCY BRAKE ENGAGEMENT LEVER FOR IC5 & IC7
140-01-00003-01	TRANSPORT WHEEL KIT FOR IC1 & IC2 & IC3 & IC5 & IC7
140-01-00004-01	FRONT STABILIZER PROTECTION PLATE KIT, LEFT FOR IC3 & IC5 & IC7
140-01-00005-01	FRONT STABILIZER PROTECTION PLATE KIT, RIGHT FOR IC3 & IC5 & IC7
140-01-00006-01	REAR STABILIZER STRETCH PLATE KIT FOR IC3 & IC5 & IC7
140-02-00002-01	REAR STABILIZER TUBE FOR IC3 & IC5 & IC7
140-02-00006-01	FRONT STABILIZER TUBE FOR IC5 & IC7 WIDE MOUNTING BRACKET
140-03-00001-01	STABILIZER END CAP (FRONT - REAR) FOR IC3 & IC5 & IC7
150-01-00005-03	COMBI PEDAL SET, SPD COMPATIBLE



150-01-00017-02	GENERATOR ASSEMBLY FOR IC7
150-01-00021-01	BOTTOM BRACKET REPLACEMENT KIT FÜR IC5 & IC7
150-01-00022-02	CAM PULLEY 72TEETH, INCL MOUNTING BOLTS FOR IC5 & IC7
150-01-00024-01	FLYWHEEL AXLE KIT FOR IC5 & IC7
150-01-00025-01	FLYWHEEL HUB ASSEMBLY FOR IC5 & IC7
150-01-00069-02	PRIMARY DRIVE PLASTIC IDLER PULLEY ASSEMBLY FOR IC5 & IC7
150-01-00070-02	SECONDARY DRIVE PLASTIC IDLER PULLEY ASSEMBLY FOR IC5 & IC7
150-03-00044-01	POLY V BELT, 4PK 895 FOR SECONDARY DRIVE IC5 & IC7
150-03-00045-01	POLY V BELT, 2PJ 330 FOR GENERATOR DRIVE IC7
150-03-00053-01	RIGHT CRANK ARM, RED / IC5 & IC7
150-03-00054-01	LEFT CRANK ARM, RED / IC5 & IC7
150-03-00059-02	TIMING BELT, HDT 784 8MHL 12 PRIMARY DRIVE FÜR IC5 & IC7 - REVISION 2
150-03-00164-01	RIGHT CRANK ARM, YELLOW FOR IC7 & IC8
150-03-00165-01	LEFT CRANK ARM, YELLOW FOR IC7 & IC8
160-01-00004-01	RIGHT SIDE MAIN SHROUD KIT FOR IC5 & IC7
160-01-00006-01	LEFT SIDE MAIN SHROUD KIT INCL. ALUMINUM RING
160-01-00007-01	TOP MAIN COVER KIT FOR IC5 & IC7
160-01-00008-02	HANDLEBAR TOP COVER KIT FOR IC7 & IC8
160-01-00009-01	SEATPOST TOP COVER KIT FOR IC5 & IC7
160-01-00014-01	GAS DAMPER BRACKET COVER KIT FOR IC5 & IC7
160-01-00045-01	LIFEFITNESS, LOGO PLATE INSERT KIT, RIGHT AND LEFT FOR IC7
160-01-00045-01	LIFEFITNESS, LOGO PLATE INSERT KIT, RIGHT AND LEFT
160-01-00052-01	LEFT SIDE MAIN SHROUD KIT INCL. ALUMINIUM RING LEFT SIDE MAIN SHROUD KIT INCL. ALUMINIUM RING
160-01-00059-01	DECAL IC7 - ALUMINIUM BADGE - RIGHT AND LEFT
160-09-00006-01	IC7 LEFT MAIN COVER - ALUMINUM BADGE, LEFT
160-09-00007-01	IC7 RIGHT MAIN COVER - ALUMINUM BADGE, RIGHT
170-01-00004-02	CONSOLE BRACKET ASSEMBLY INCL. CABLE FOR IC7
170-01-00004-02	CONSOLE BRACKET ASSEMBLY INCL. CABLE FOR IC7
170-01-00005-02	GEAR MODULE BRACKET ASSEMBLY FOR IC7 & IC8
170-01-00006-01	PHOTO INTERRUPTER PCB KIT FOR IC7
170-01-00007-02	GAMMA SENSOR BRACKET ASSEMBLY FOR IC7
170-01-00009-01	POWER MODULE, COATED PCB, ASSEMBLY FOR IC7
170-01-00009-01	POWER MODULE, COATED PCB, ASSEMBLY INCLUDING BRACKET
170-01-00009-02	POWER MODULE BRACKET ASSEMBLY FOR IC7

170-01-00016-01	MAIN CABLE HARNESS SET WITH IDENTIFICATION STICKERS FOR IC7
170-01-00026-01	CONSOLE CABLE INCL. MOUNTING PARTS FOR IC7
170-02-00008-01	REED SWITCH FOR IC5 & IC7
170-02-00018-03	GAMMA SENSOR PCB FOR IC7 CONFORMAL COATED
170-02-00018-04	GAMMA SENSOR PCB FOR IC7/IC8 CONFORMAL COATED
170-03-00012-01	LiPo RECHARGEABLE BATTERY 5000mAh / 3.7V FOR IC7
180-01-00024-01	GASDAMPER KIT "SUSPA" SEATPOST FOR IC5 & IC7
180-01-00025-01	GASDAMPER KIT "SUSPA", HANDLEBAR FOR IC5 & IC7
180-01-00028-01	FLIP LEVER ASSEMBLY, VERTICAL SEATPOST
180-01-00029-02	FLIP LEVER ASSEMBLY - REINFORCED LEVER - FOR VERTICAL HANDLEBAR ADJUSTMENT FOR IC5 & IC7
180-03-00069-01	CONSOLE MOUNTING BRACKET FOR HANDLEBAR BRIDGE
190-01-00004-01	STABILIZER MOUNTING KIT (1 x BOLT, WASHER, SLEEVE, CAP) for IC3 & IC5 & IC7
190-01-00008-02	LOWER EMERGENCY BRAKE ASSEMBLY FOR IC5 & IC7
190-01-00009-01	MAGNETIC BRAKE ASSEMBLY - FLYWHEEL FOR IC5 & IC7
190-01-00010-01	BOWDEN CABLE, VERTICAL HANDLEBAR ADJUSTMENT FOR IC5 & IC7
190-01-00011-01	BOWDEN CABLE, VERTICAL SEATPOST ADJUSTMENT FOR IC5 & IC7
190-01-00012-01	BOWDEN CABLE, EMERGENCY BRAKE FOR IC5 & IC7
190-01-00013-01	BOWDEN CABLE, MAGNETIC BRAKE SYSTEM FOR IC5 & IC7
190-01-00014-01	FLYWHEEL ASSEMBLY FOR IC5 & IC7
190-01-00018-01	STABILIZER BRACKET POP OUT COVER SET (5 PCS) FOR IC3 & IC5 & IC7
190-01-00027-01	LEVELING FEET, RUBBER 75°SHORE (2 PCS.) FOR IC2 & IC3 & IC5 & IC7
190-01-00028-02	CONSOLE BRACKET - 2 PIECE PLASTIC FOR IC7
190-01-00029-01	GASDAMPER ALUMINIUM ADAPTER DRUM, SEATPOST FOR IC5 & IC7
190-01-00030-01	ASSEMBLY PARTS, MAIN SHROUD, BOLTS & GROMMETS FOR IC5 & IC7
190-01-00036-02	END CAP SET NARROW HORIZONTAL SEATPOST SLIDER FOR IC4 & IC5 & IC6 & IC7 & IC8
190-01-00037-01	FLIP LEVER CAP (PPS) (5 PCS.) FOR IC5 & IC7 REV2
190-01-00041-01	END CAP SET HORIZONTAL HANDLEBAR SLIDER FOR IC7
190-01-00046-01	THUMB LOCK LEVER CAP FOR HORIZONTAL Adjustment 10 pcs.
190-01-00049-01	CONSOLE MOUNTING BRACKET INCL. BOLT FOR HANDLEBAR BRIDGE
190-01-00082-01	END CAP SET HORIZONTAL HANDLEBAR SLIDER FOR IC4/IC5/IC6/IC7/IC8
320-00-00011-01	WATTRATE TFT COMPUTER FOR IC6 AND IC7
900-00-90008-20	CRANK MOUNTING BOLT, M8 x 20 x 1.25P
900-11-00003-01	BRICK MAGNET 15 x 10 x 5MM IC5/7 CAM PULLEY & ANT+